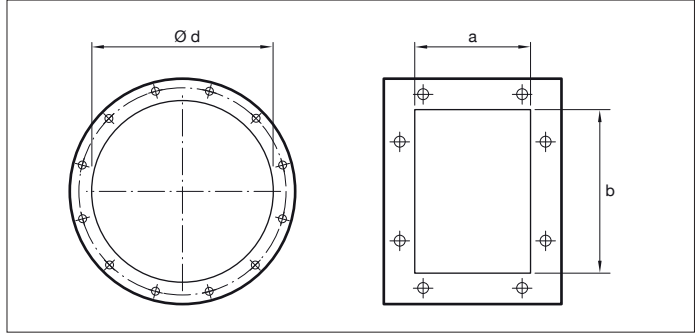
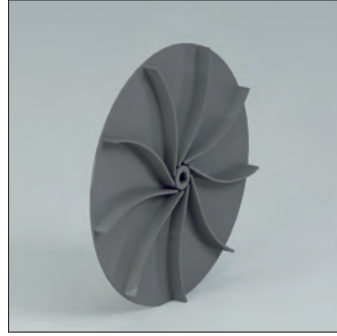
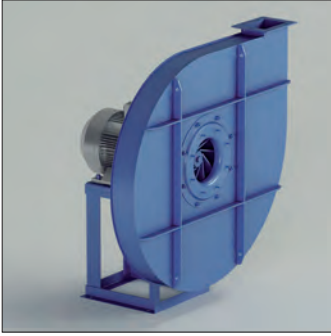


ZA - ZA/T



ZA - ZA/T

Direct and indirect driven centrifugal fans.
Impeller with curved, open radial blades.

Application

For the transport of solid materials mixed with air, sawdust and various chips, also suitable for filaments.

Technical specifications:

Air volume: 180 up to 3.600 m³/h
Total pressure: 140 up to 1.000 daPa.

Application area

Low-air volumes, medium-high pressures.

Model	Installed power (kW)	Axle height mm	Poles	Inlet $\varnothing d$ mm	Outlet dimensions a x b mm	Inspection door	Welding fan housing
ZA400/P2	0.75	80	2	125	68 x 95	Optional	Optional
ZA400/P2	1.1	80	2	125	68 x 95	Optional	Optional
ZA450/P2	1.1	80	2	140	76 x 105	Optional	Optional
ZA450/P2	1.5	90	2	140	76 x 105	Optional	Optional
ZA500/P2	2.2	90	2	160	85 x 117	Optional	Optional
ZA500/P2	3	100	2	160	85 x 117	Optional	Optional
ZA560/P2	3	100	2	180	95 x 131	Optional	Optional
ZA560/P2	4	112	2	180	95 x 131	Optional	Optional
ZA630/P2	5.5	132	2	200	105 x 146	Optional	Optional
ZA630/P2	7.5	132	2	200	105 x 146	Optional	Optional
ZA710/P2	7.5	132	2	225	117 x 166	Optional	Included
ZA710/P2	11	160	2	225	117 x 166	Optional	Included
ZA800/P2R	15	160	2	250	131 x 185	Optional	Included
ZA800/P2	18.5	160	2	250	131 x 185	Optional	Included
ZA800/P4R	3	100	4	250	131 x 185	Optional	Included
ZA800/P4	4	112	4	250	131 x 185	Optional	Included
ZA900/P4R	5.5	132	4	275	148 x 207	Optional	Included
ZA900/P4	7.5	132	4	275	148 x 207	Optional	Included
ZA1000/P4R	7.5	132	4	325	166 x 231	Optional	Included
ZA1000/P4	11	160	4	325	166 x 231	Optional	Included

FA.T07.FM.2014.V2.O.UK

ZA - ZA/T

DISCHARGE CHARACTERISTICS

 Load tolerance $\pm 5\%$

• Fan size	• Motor	P inst. [kW]	n	LpA [dB(A)]	Q [m ³ /h]										
					145	180	215	250	290	325	360	400	430	470	540
ZA400/P2	80	0,75	2820	57	252	250	248	246	242	238	232	229	224		
ZA400/P2	80	1,1	2845	58	257	255	253	251	248	243	237	234	229	222	
ZA450/P2	80	1,1	2845	61			333	330	327	323	319	314	309	304	298
ZA450/P2	90	1,5	2870	62			338	335	332	328	324	319	314	309	303
ZA500/P2	90	2,2	2900	64					425	422	420	418	416	413	406
ZA500/P2	100	3	2940	65					440	437	435	433	431	428	421
ZA560/P2	100	3	2940	69								547	546	545	543
ZA560/P2	112	4	2950	70								552	551	549	547
ZA630/P2	132	5,5	2950	74											682
ZA630/P2	132	7,5	2950	76											682
ZA710/P2	132	7,5	2950	76											
ZA710/P2	160	11	2955	78											
ZA800/P2R	160	15	2960	78											
ZA800/P2	160	18,5	2960	80											
ZA800/P4R	100	3	1420	61										235	233
ZA800/P4	112	4	1440	63											263
ZA900/P4R	132	5,5	1455	67											
ZA900/P4	132	7,5	1460	68											
ZA1000/P4R	132	7,5	1460	69											
ZA1000/P4	160	11	1460	70											

SUCTION CHARACTERISTICS

 Load tolerance $\pm 5\%$

• Fan size	Motor	P inst. [kW]	n	LpA [dB(A)]	Q [m ³ /h]										
					145	180	215	250	290	325	360	400	430	470	540
ZA400/P2	80	0,75	2820	57	244	241	238	235	229	224	216	211	204		
ZA400/P2	80	1,1	2845	58	249	246	243	240	235	229	221	215	209	199	
ZA450/P2	80	1,1	2845	61			320	316	312	308	302	296	290	283	274
ZA450/P2	90	1,5	2870	62			325	321	317	312	307	301	295	288	277
ZA500/P2	90	2,2	2900	64					405	402	399	396	394	389	381
ZA500/P2	100	3	2940	65					419	416	413	410	407	403	393
ZA560/P2	100	3	2940	69								516	515	513	510
ZA560/P2	112	4	2950	70								521	519	517	513
ZA630/P2	132	5,5	2950	74											636
ZA630/P2	132	7,5	2950	76											635
ZA710/P2	132	7,5	2950	76											
ZA710/P2	160	11	2955	78											
ZA800/P2R	160	15	2960	78											
ZA800/P2	160	18,5	2960	80											
ZA800/P4R	100	3	1420	61											228
ZA800/P4	112	4	1440	63											226
ZA900/P4R	132	5,5	1455	67											
ZA900/P4	132	7,5	1460	68											
ZA1000/P4R	132	7,5	1460	69											
ZA1000/P4	160	11	1460	70											

ZA - ZA/T

•Noise tolerance $\pm 4dB(A)$

Q [m³/h]																	
650	720	790	865	935	1080	1225	1370	1440	1620	1800	2160	2520	2880	3240	4000		
pt[mmH ₂ O]																	
285																	
397	387	377	366														
412	402	392	381														
536	531	525	519	512													
541	536	530	524	517	500	485											
678	672	668	660	654	644	632	616	600									
678	672	668	660	654	644	632	616	600	582	555							
			858	858	856	852	846										
			860	860	860	857	852	843	836	830	805	765	705				
						1030	1025	1015	1010	1000	990	960	920				
						1106	1100	1095	1090	1085	1080	1060	1025	990			
232	231	228	225	224	221	216	208	198	190	175							
260	258	255	252	250	247	240	233	228	222	210							
		318	316	314	312	310	308	301	294	288	281	265	240				
			340	339	336	334	332	330	326	320	316	300	285	260			
					390	386	382	378	374	368	362	346	326	304			
						420	419	416	412	408	404	400	390	370	350	310	

•Noise tolerance $\pm 4dB(A)$

Q [m³/h]																	
650	720	790	865	935	1080	1225	1370	1440	1620	1800	2160	2520	2880	3240	4000		
pt[mmH ₂ O]																	
254																	
368	355	342	327														
382	369	356	341														
500	494	486	478	469													
505	498	491	483	473	452	430											
630	624	619	610	603	590	575	555	538									
630	624	619	610	603	590	575	555	538	514	481							
			788	787	786	784	778	770									
			789	788	787	782	775	764	757	747	720	674	607				
						931	925	915	910	899	887	855	812				
						993	987	981	976	969	962	938	901	862			
224	223	219	216	214	209	203	193	182	171	152							
251	249	245	242	239	234	226	217	211	201	186							
		307	304	302	300	297	294	286	278	271	262	241	211				
			327	326	322	319	316	313	308	301	295	274	254				
					373	369	364	360	355	348	339	320	297	271			
						401	399	396	391	386	381	374	361	338	314	263	

The A-weighted sound power level, LpA (Chap.13), is the value measured in test conditions at the point of

ZA - ZA/T

• Size	• Max rpm
CLASSE I	
ZA400	5300
ZA450	4750
ZA500	4250
ZA560	3750
ZA630	3350
ZA710	3000
ZA800	2950
ZA900	2350
ZA1000	2100

• Values valid up to 60°C

• between	60°C	• and	100°C	• degrade speed	4%
	100°C		150°C		10%
	150°C		200°C		16%
	200°C		250°C		23%
	250°C		300°C		30%
	300°C		350°C		37%
	350°C		400°C		45%
	400°C		450°C		54%
	450°C		500°C		64%

pt [mmH₂O]

